

## HL9D Tilt-out type

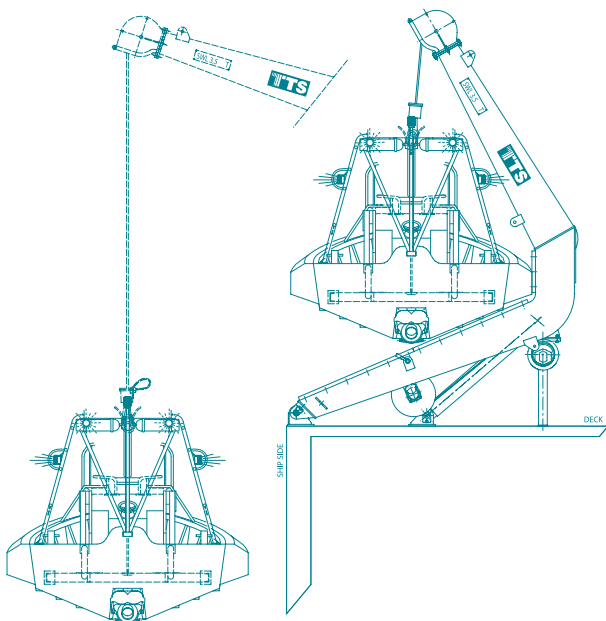
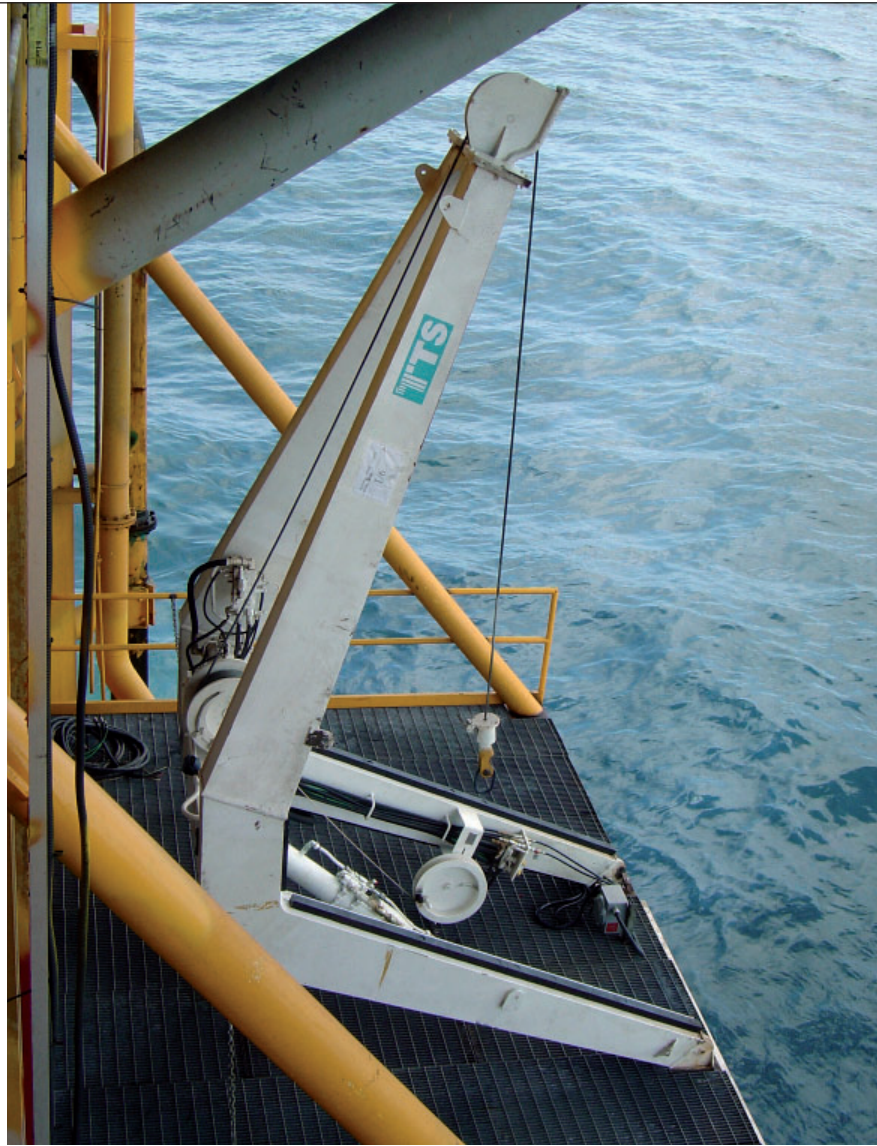
A traditional A-frame davit in a cost-effective design for single point lifting. The davit is in full compliance with current and applicable rules for Life Saving Equipment. The Davit is supplied with EC TYPE-EXAMINATION CERTIFICATE, issued by DNV (accepted by other Class Societies).

### Main features

- Integrated electro-hydraulic power pack.
- Stored energy for launching under dead ship conditions.
- MOB-Boat securely stowed and lashed in parked position.

### Options

- Constant Tension system as wave compensator, speed max 120 m/min.
- Shock absorbing cylinder for smooth handling of the boat.
- Offload quick release hook wire end.
- Lifting ring with handles.



	UNIT	HL9D MOB1500	HL9D MOB3500
DAVIT LOAD SWL	kg	1500	3500
Hoisting speed	m/min	50	50
Lowering speed (dead ship condition)	m/min	50	50
Lifting height	m	20	20
Swing-out time, approx.	sec	10	10
List +Trim	degr	20+10	20+10
Power consumption	kW	20	40